

People Counter with Data Recorder

PC-RBA02



Description:

When installed as described below, the photoelectric sensor generates an invisible beam of light that travels down vertically from the top or horizontally across the sensing area (maximum distance of 2 meters = 6.5ft). When a person crosses the beam, a digital signal is sent to the counter incrementing its count by +1. Turning off the power on the display does not reset the counter. It will maintain its count until the reset button on the display is depressed.

Components:

- o Diffuse Mode Photoelectric Sensor (W19xH16xL49mm) with 6.5 ft cord and 10ft extension cable.
- o 12V DC Power Supply With 10ft Cable
- o Count Recorder
- o Chime (*optional*)

Maintenance:

Occasionally it may be necessary to wipe the lens of sensor clean from debris and dust. Use a damp soft cotton cloth with clean water or smudge proof mild detergent.

Support:

For technical assistance please call 330.792.7089

Installation:

By following the simple guidelines below your people counter will be operating within a few minutes.

1. Adding Cable Length

Skip this step if you plan on using the standard 10ft cable provided.

Refer to Figure 1

You may use your own cable (according to the specifications listed in figure 1) if you wish to extend the distance from any of the components (up to 1000ft with shielded cable).

2. Mounting Components

Refer to Figure 2

Select an unobstructed location to mount the sensors in an area you wish to monitor. Sensors should be mounted so that a clear path exists for a minimum of 5ft. If sensing vertically, the sensor should be installed securely on a flat surface aiming at the area where people will enter directly below as shown in figure 2. If sensing from above it may be necessary to mount the sensors at a 5-10 degree diagonal in order to cover more area under our entry. If sensing horizontally the sensor should be installed about 3-4ft above the ground or 4-5ft to ignore children in your counts. The sensor should not be mounted on the side of a door opening where a door will pass across the sensor beam. The sensor will detect a person no more than 6.5ft away from the sensor. Mounting suggestions are located in figure 2.

Mounting screws not supplied.



3890 Oakwood Ave.
Youngstown, OH 44515-3033
Phone: (800) 239-1226
Fax: (877) 517-2586

People Counter with Data Recorder

The count recorder can be mounted or set in any convenient indoor location. Place near the sensor for autonomous operation or near your computer for a permanent PC connection. For more system layout suggestions refer to the count recorder manual.

3. Wiring Components

Refer to Figure 1

Connect the wires from the sensor, power supply, count recorder, and chime (optional) to the terminal strip according to the wiring diagram, while adhering to the wiring codes established for your state and locality. Excess wire length can be trimmed. Please follow the included instructions with the count recorder along with the wiring guide in figure 1.

**Optional component*

4. Aligning Sensor

After the sensor and count recorder are mounted and wired, connect the power supply to a 120V AC outlet and take note of the lights on the sensor.

If the sensors sensitivity and alignment are correct NO LIGHTS should be on when nothing is in front of the sensor. The lights should change from NO lights to RED or YELLOW when a person enters the sensing area (RED indicates marginal sensing) and the count will be incremented by +1. Adjustment may be necessary if lights are on when nothing is in front of the sensor. When finished, secure the sensor in order to maintain alignment.

Using the supplied adjustment tool, sensitivity of each sensor may be increased or decreased as needed by turning the small adjustment screw on the side of the sensors (clockwise to increase or counter-clockwise to decrease sensitivity).

NOTE: Testing sensitivity of each sensor should be done with a person wearing dark clothing.

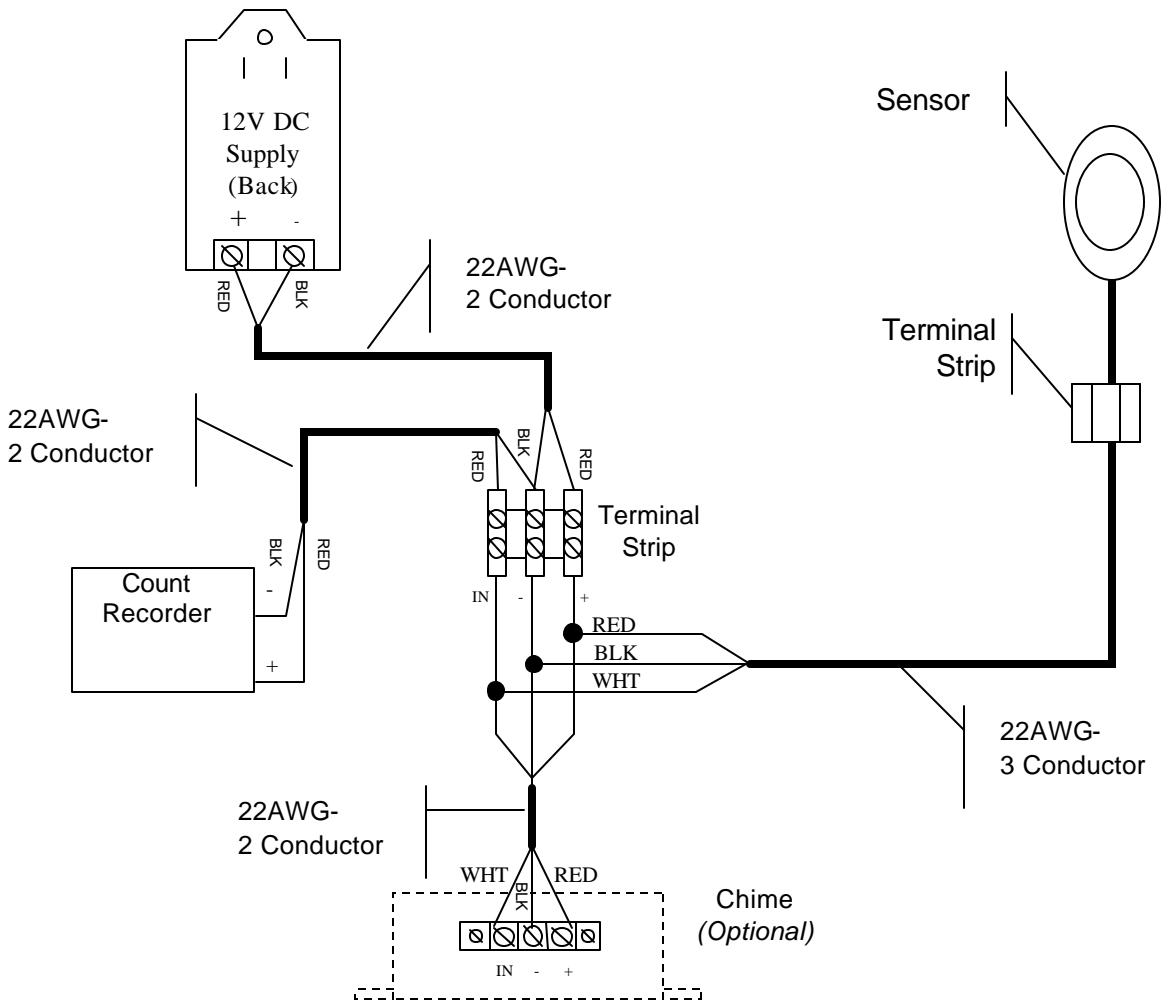
5. Your counting system is ready for operation

NOTE: Please refer to the Count Recorder manual for further information.

People Counter with Data Recorder

SYSTEM WIRING

Figure 1



People Counter with Data Recorder

TYPICAL SYSTEM SETUPS

Figure 2

Vertical Sensing Setup

