

Count Recorder

PCDL-1000 Count Recorder



The PCDL-1000 is a miniature (2.2" X 1.4" X 0.6") internal battery powered counter / totalizer. This effective, low-cost recording device can be connected to all of our counters or can operate by itself with our sensors to allow recording and easy transfer of data to your PC or Laptop. Operates for months at a time (typical life = 1yr) on a 3.6-volt lithium battery. Convenient programmable scaling factor allows you to divide or multiply counts to correct for error factors.

The PCDL-1000 may act as a totalizer, continuously counting traffic over specifically defined intervals. Once activated the PCDL-1000 senses and records total traffic within adjacent "time bin" periods. The bin period is selectable from 2 seconds to 12 hours. At the end of each bin period, the total count is stored in memory. The PCDL-1000 then starts another bin period and continues until either the memory is full (up to 16,363 records) or the test period has ended. If a 1-hour period is selected the PCDL-1000 can continue recording for up to 681 days.

For setup and data recovery the PCDL-1000 is used in conjunction with a host PC running user friendly, Windows based software. The software provides the user with graphical or tabular output indicating count rates as well as total counts versus time. Or simply download the data to an Excel spreadsheet for easy data manipulation.

The **PCDC-USB1** interface cable (PURCHASED SEPARATELY) connects to your computer to download data from the Count Recorder. The Count Recorder can be connected permanently to your PC or can record data autonomously then connect as desired to download data.

NOTE: Only one PCDC-USB1 is needed for all recorders unless the connection from the PCDL-1000 to the computer will be permanent, in this case one PCDC-USB1 is needed for each PCDL-1000. A USB port is also needed for each PCDL-1000 if a permanent connection is required.

Software & Manual

Manual: The manual is stored on the CD in Adobe PDF format at the following location: D:/SenSource_MANUAL_2.pdf. Adobe Acrobat Reader is necessary to display and print the manual. If needed Adobe Acrobat Reader can be downloaded and installed for free from the following online location: <http://www.adobe.com/products/acrobat/readstep2.html>. Refer to the manual for complete hardware and software setup instructions:

Software Installation: Insert the disk labeled *SenSource Data Recorder Software* into the disk drive. From the Windows Program Manager, click START and select the RUN Command from the file menu then type *D:\setup* into the command line field. If you are using a CD ROM drive other than the D drive, replace that drive letter in the command line instructions above. After installation the software will be listed under the default SenSource software program group and saved under the default "C:\Program Files\SenSource 2.00\" directory.

NOTE: If a CD is not provided please download the software from the following on-line location: http://www.sensource.biz/people_counters.htm (click on: Download Counter Recorder Software and Manual)

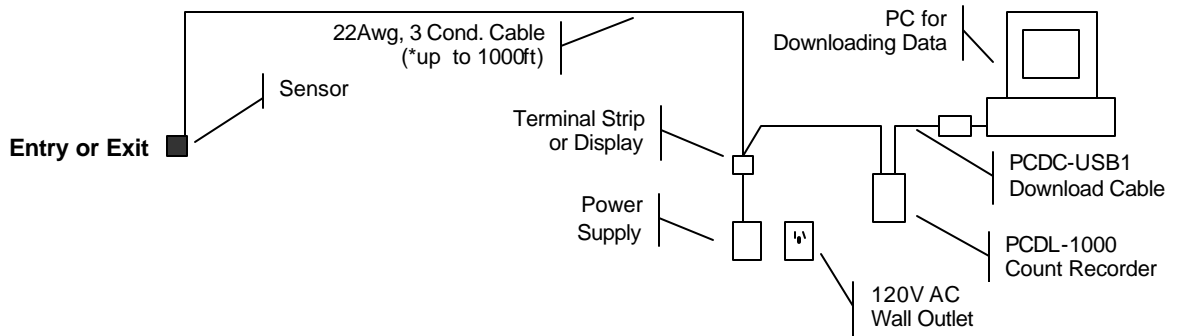
IMPORTANT: The count recorder includes an internal lithium battery that should be replaced every 12 months or after the count recorder stops functioning. Contact SenSource for details.

Support – For technical assistance please call: 330.792.7089

Count Recorder

System Layout Suggestions

System with count recorder wired directly to the PC for downloading data



System with autonomous count recorder and separate download.

